

Card Reader

ITEM #	PART NUMBER	DESCRIPTION	QTY.
1	112-0301	ROUND TOP, UPRIGHT	1
2	112-0563	DOOR, WITH CARD READER, ROUND TOP	1
3	112-0008	CANDLE MOUNT, ROUND TOP	1
4	S2418	LIGHT HOUSING, ROUND TOP	1
5	S0237	GLASS RETAINER, ROUND TOP	1

PART #	N/A	PART DESC.	Round Top, Upright, For Artwork, Cardreader	Detailed by:	DJL
MAT'L.	ASSORTED	FINISH :	N/A	Created By:	DJL

Sheet 1 of 3

Next Assy: N/A

File Name: D:\drawings\Round Tops\Round Top, Upright, W-Card Reader

TOLERANCES UNLESS OTHERWISE SPECIFIED
 .X ± .062 ANGLES ± .5°
 .XX ± .030 HOLES ± .003
 .XXX ± .015 Fractions ± 1/64
 All dimensions are in inches unless otherwise specified

DIMENSIONS MARKED WITH O-BROUND ARE INSPECTION DIMENSIONS

DRAWING CREATED FOR :

FOR :

Cust Part #

N/A

Cust Print #

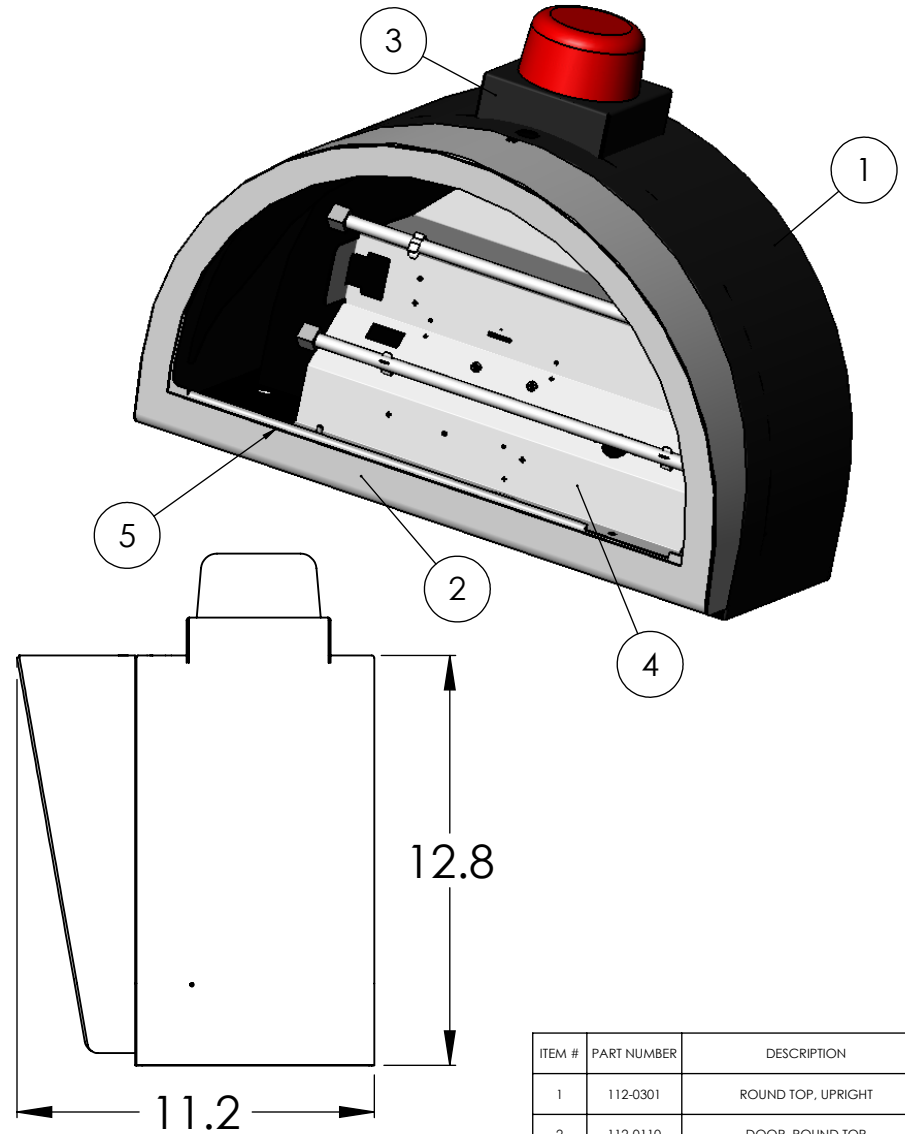
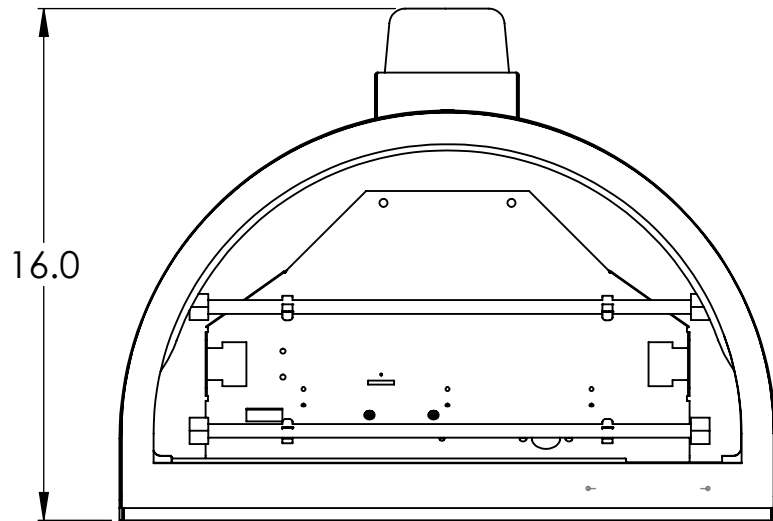
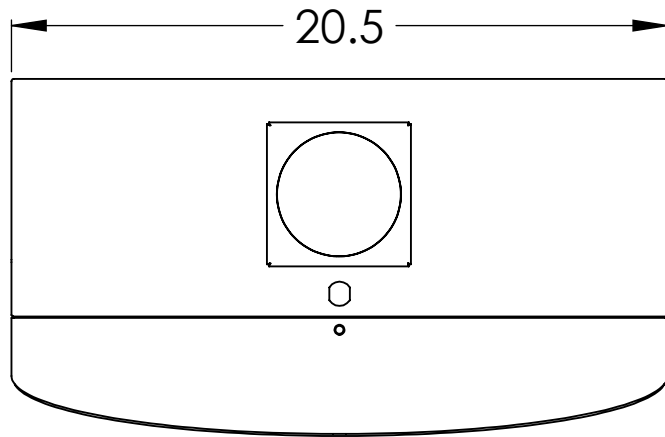
N/A

THIS INFORMATION IS PROPERTY OF

SPEC INTERNATIONAL

FABRICATION DIVISION
 739 Cottage Grove
 Grand Rapids, MI 49506
 Phone (616) 248-9116
 Fax (616) 248-9069
 www.specinternational.com

THE INFORMATION CONTAINED HEREIN IS CLASSIFIED "CONFIDENTIAL". IT IS THE SOLE PROPERTY OF ABOVE LISTED CUSTOMER, AND ANY USE THEREOF AND/OR REPRODUCTION THEREOF IS EXPRESSLY PROHIBITED WITHOUT THE WRITTEN CONSENT OF ABOVE LISTED CUSTOMER.



ITEM #	PART NUMBER	DESCRIPTION	QTY.
1	112-0301	ROUND TOP, UPRIGHT	1
2	112-0110	DOOR, ROUND TOP	1
3	112-0008	CANDLE MOUNT, ROUND TOP	1
4	S2418	LIGHT HOUSING, ROUND TOP	1
5	S0237	GLASS RETAINER, ROUND TOP	1

Sheet 2 of 3

TOLERANCES UNLESS OTHERWISE SPECIFIED

.X ± .062 ANGLES ± .5°
 .XX ± .030 HOLES ± .003
 .XXX ± .015 Fractions ± 1/64

ALL DIMENSIONS ARE IN INCHES UNLESS OTHERWISE SPECIFIED

EX.XXX
 DIMENSIONS MARKED WITH OBROUND ARE INSPECTION DIMENSIONS

FILE NAME:
 D:\drawings\Round Tops\
 Round Top, Upright, W-Card Reader

DRAWING CREATED FOR :

INTERNATIONAL

FABRICATION DIVISION
 739 Cottage Grove
 Grand Rapids, MI 49506
 Phone (616) 248-9116
 Fax (616) 248-9069
 www.specinternational.com

This Information Is Property Of

Cust Part #
 N/A

Cust Print #
 N/A

SPEC INTERNATIONAL

THE INFORMATION CONTAINED HEREIN IS CLASSIFIED "CONFIDENTIAL". IT IS THE SOLE PROPERTY OF ABOVE LISTED CUSTOMER. AND ANY USE THEREOF AND/OR REPRODUCTION THEREOF IS EXPRESSLY PROHIBITED WITHOUT THE WRITTEN CONSENT OF ABOVE LISTED CUSTOMER.

PART #	N/A	PART DESC.	Round Top, Upright, For Artwork	Detailed by:	DJL
MAT'L.	ASSORTED	FINISH :	N/A	Created By:	DJL

Tuesday, March 11, 2008 10:57:57 AM

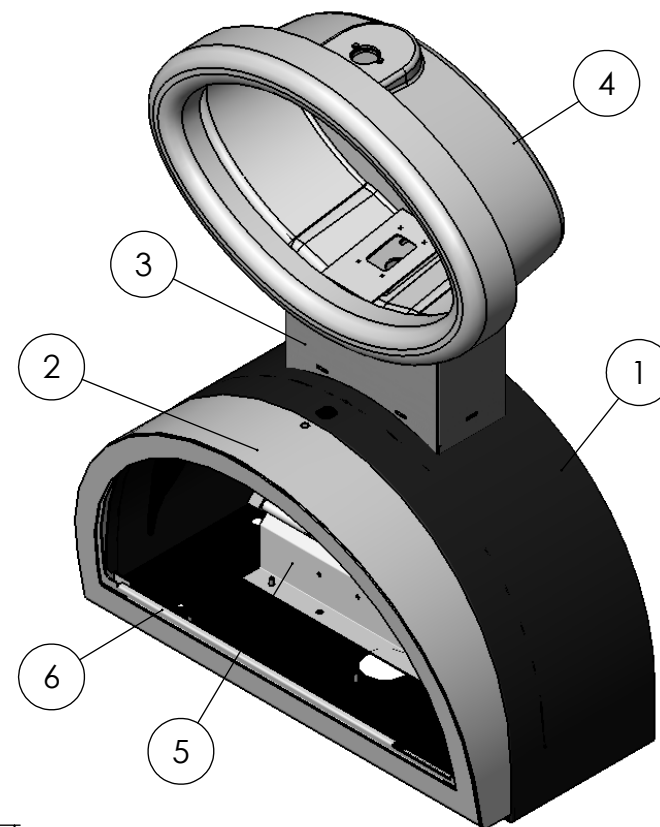
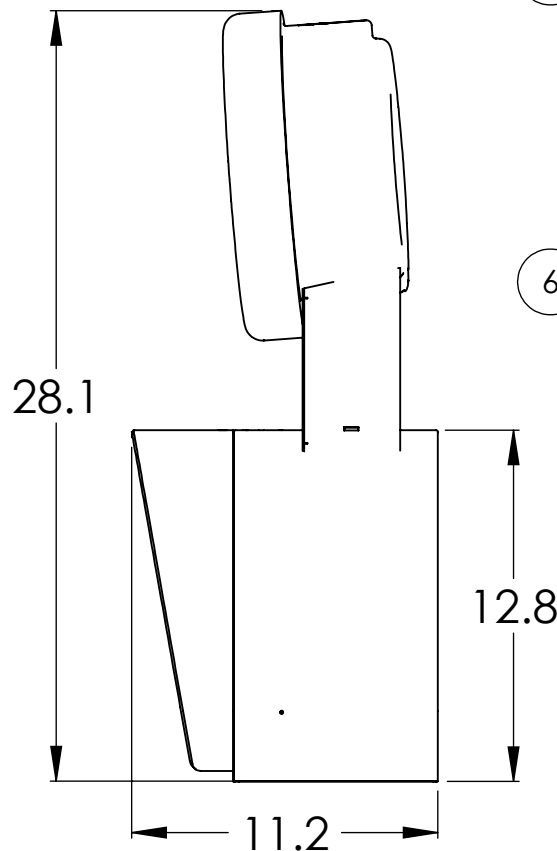
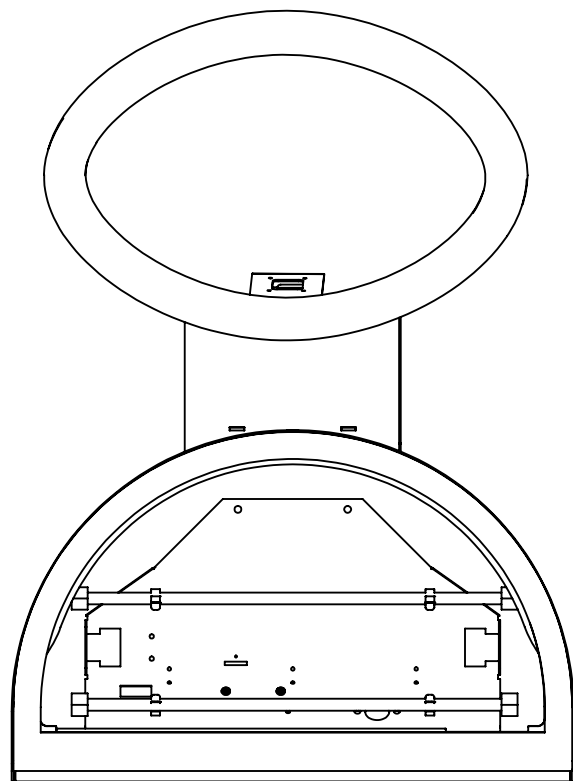
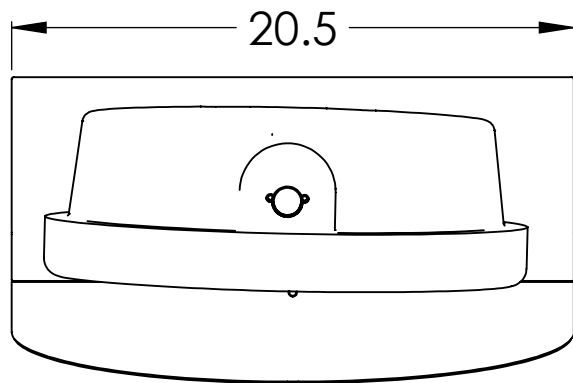
FINAL

Sheet scale= 1:7

PRINT NO.:

Round Top, Upright, For Artwork,
With Ovation Topper

Rev. ---



ITEM #	PART NUMBER	DESCRIPTION	QTY.
1	112-0301	ROUND TOP, UPRIGHT	1
2	112-0110	DOOR, ROUND TOP	1
3	104-0237	TOPPER MOUNT, ROUND TOP	1
4	400-0095	RGB ELLIPSE TOPPER	1
5	S2418	LIGHT HOUSING, ROUND TOP	1
6	S0237	GLASS RETAINER, ROUND TOP	1

Sheet 3 of 3	TOLERANCES UNLESS OTHERWISE SPECIFIED X.XXX
NEXT ASSY. N/A	.X ± .062 ANGLES ± .5° .XX ± .030 HOLES ± .003 .XXX ± .015 Fractions ± 1/64 <small>All dimensions are in inches unless otherwise specified</small>
FILE NAME: D:\drawings\Round Tops\ Round Top, Upright, W-Card Reader	DIMENSIONS MARKED WITH OBROUND ARE INSPECTION DIMENSIONS

DRAWING CREATED FOR :	SPEC INTERNATIONAL	FABRICATION DIVISION 739 Cottage Grove Grand Rapids, MI 49506 Phone (616) 248-9116 Fax (616) 248-9069 www.specinternational.com
This Information Is Property Of		
Cust Part #	N/A	
Cust Print #	N/A	
Cust Part #	N/A	
Cust Print #	N/A	

PART #	N/A	PART DESC.	Round Top, Upright, For Artwork, With Ovation Topper	Detailed by:	DJL
MAT'L.	ASSORTED	FINISH :	N/A	Created By:	DJL

Tuesday, March 11, 2008 10:57:57 AM

THE INFORMATION CONTAINED HEREIN IS CLASSIFIED "CONFIDENTIAL". IT IS THE SOLE PROPERTY OF ABOVE LISTED CUSTOMER. ANY USE THEREOF AND/OR REPRODUCTION THEREOF IS EXPRESSLY PROHIBITED WITHOUT THE WRITTEN CONSENT OF ABOVE LISTED CUSTOMER.