

ITEM NO.	PART NUMBER	DESCRIPTION	QTY.
1	105-0114	SQUARE TOP, UPRIGHT	1
2	105-0112	DOOR, SQUARE TOP	1
3	105-0113	HINGE, SQUARE TOP	1
5	105-0124	CHERRY SWITCH BRACKET, E79, SQUARE TOP	1
5	S0368	GLASS RETAINER, SQUARE TOP	1
6	S2418	LIGHT HOUSING, SQUARE TOP	1

Sheet 1 of 3

TOLERANCES UNLESS OTHERWISE SPECIFIED

.X ± .062 ANGLES ± .5°

.XX ± .030 HOLES ± .003

.XXX ± .015 Fractions ± 1/64

All dimensions are in inches unless otherwise specified

X.XXX

DIMENSIONS MARKED WITH OBROUND ARE INSPECTION DIMENSIONS

FILE NAME: D:\drawings\Square Tops\Square Top, Upright

DRAWING CREATED FOR :

FOR :

This Information Is Property Of

Cust Part #

N/A

Cust Print #

N/A

**SPEC INTERNATIONAL**

FABRICATION DIVISION  
739 Cottage Grove  
Grand Rapids, MI 49506  
Phone (616) 248-9116  
Fax (616) 248-9069  
www.specinternational.com

THE INFORMATION CONTAINED HEREIN IS CLASSIFIED "CONFIDENTIAL". IT IS THE SOLE PROPERTY OF ABOVE LISTED CUSTOMER, AND ANY USE THEREOF AND/OR REPRODUCTION THEREOF IS EXPRESSLY PROHIBITED WITHOUT THE WRITTEN CONSENT OF ABOVE LISTED CUSTOMER.

PART #	N/A	PART DESC.	Square Top, Upright, For Artwork	Detailed by:	DJL
MAT'L.	ASSORTED	FINISH :	N/A	Created By:	DJL

Monday, May 04, 2009 1:57:05 PM

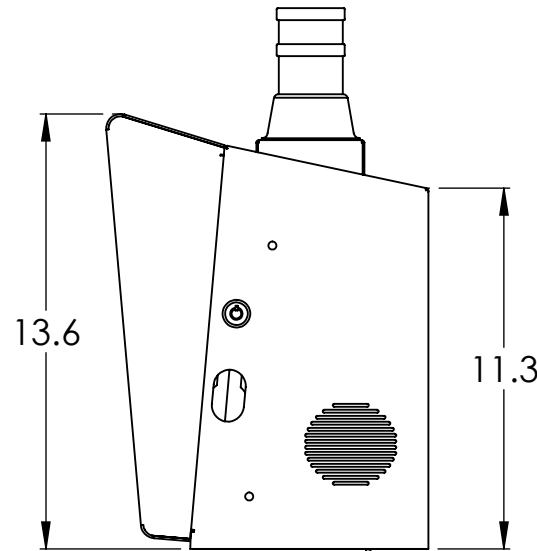
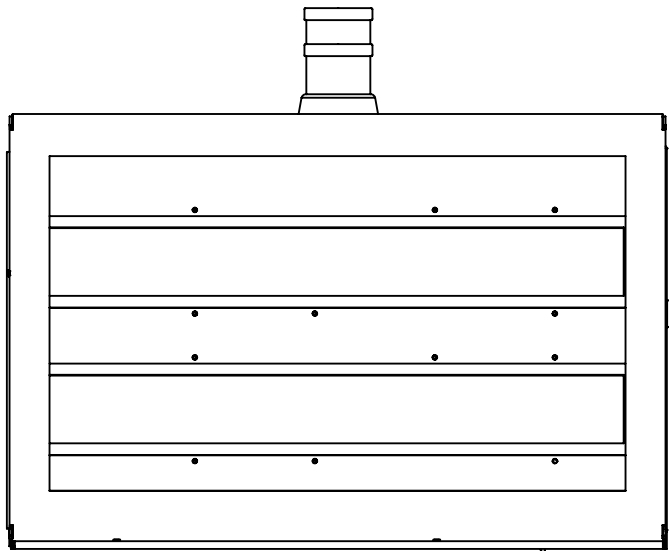
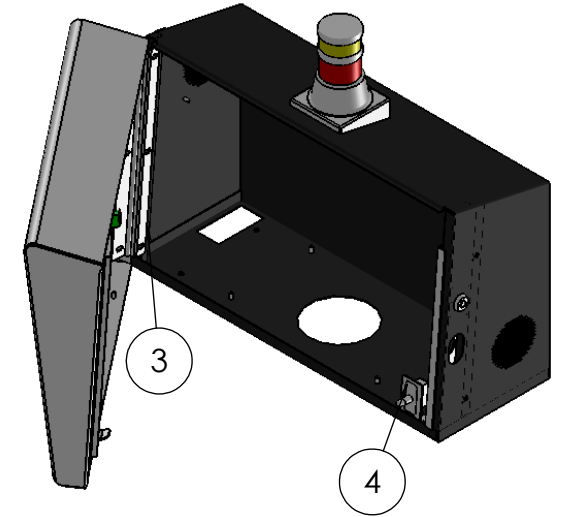
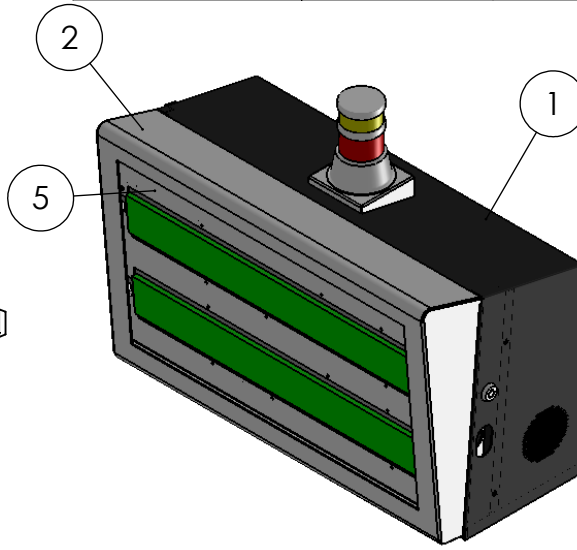
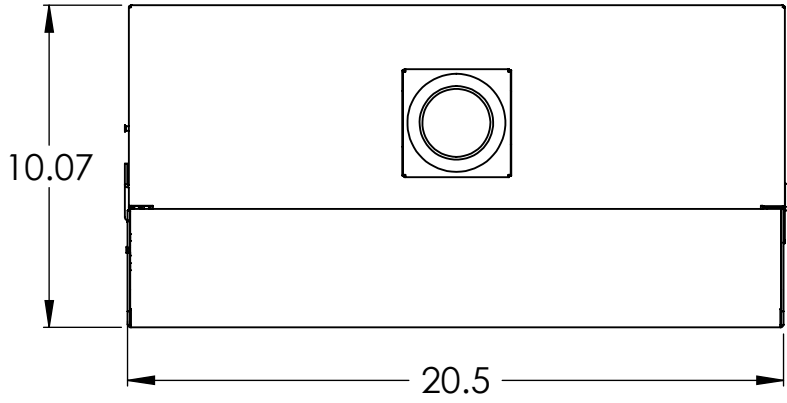
# Flat Pattern

Sheet scale= 1:6

PRINT NO.:

Square Top, Upright, W-Dual Adaptive Displays

Rev. ---



ITEM #	PART NUMBER	DESCRIPTION	QTY
1	105-0114	SQUARE TOP, UPRIGHT	1
2	105-0112	DOOR, SQUARE TOP	1
3	105-0113	HINGE, SQUARE TOP	1
4	105-0124	CHERRY SWITCH BRACKET, E 79, SQUARE TOP	1
5	216-0012	GLASS HOLDER/DUAL ADAPTIVE DISPLAYS, SQUARE TOP	1

Sheet 2 of 3

TOLERANCES UNLESS OTHERWISE SPECIFIED

X.XXX

NEXT ASSY. N/A

FILE NAME: D:\drawings\Square Tops\Square Top, Upright

.X ± .062 ANGLES ± .5°  
 .XX ± .030 HOLES ± .003  
 .XXX ± .015 Fractions ± 1/64  
All dimensions are in inches unless otherwise specified

DIMENSIONS MARKED WITH OBROUND ARE INSPECTION DIMENSIONS

DRAWING CREATED FOR :

FOR :

This Information Is Property Of

Cust Part #

N/A

Cust Print #

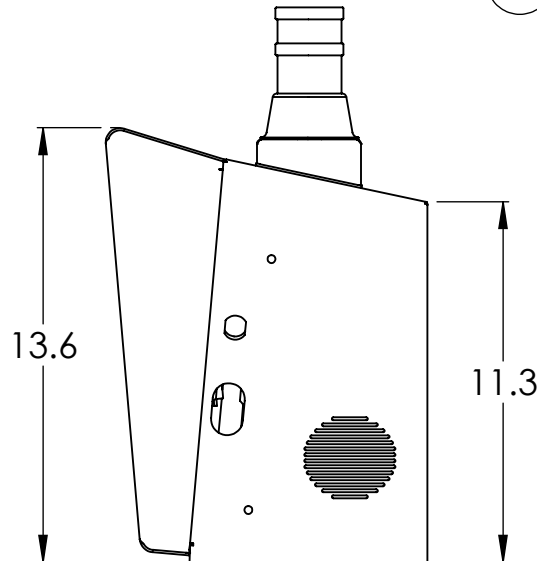
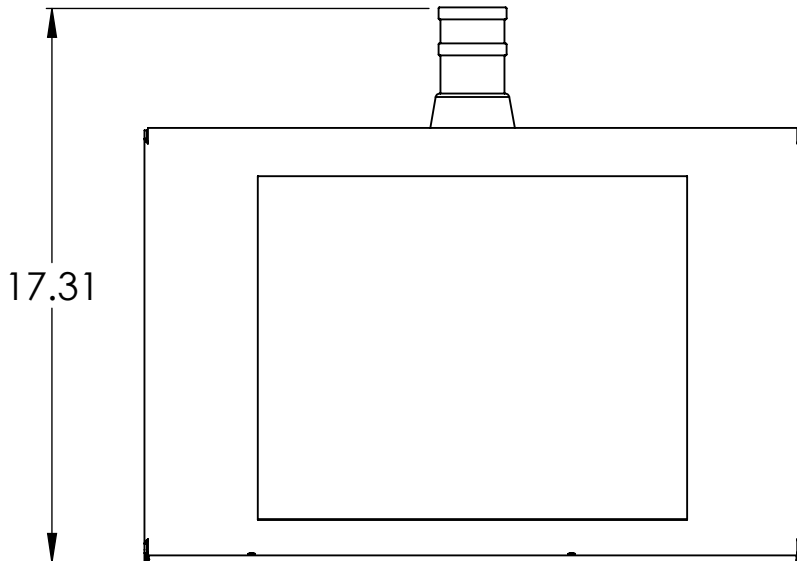
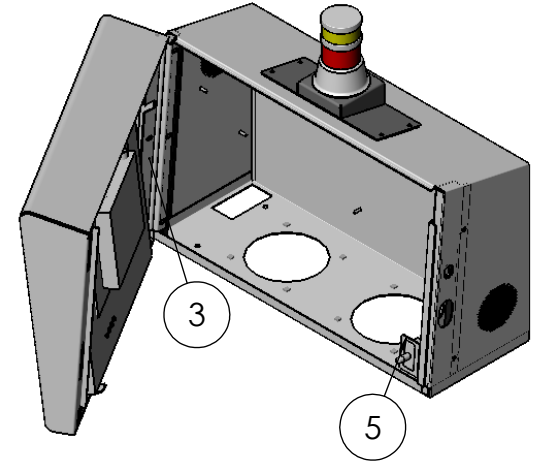
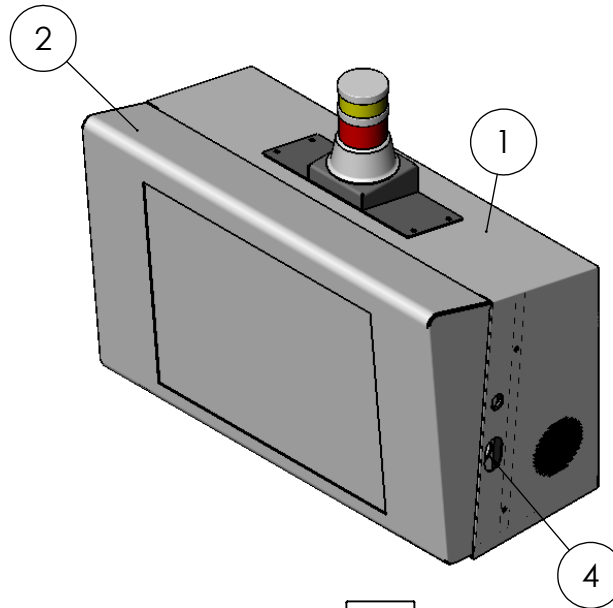
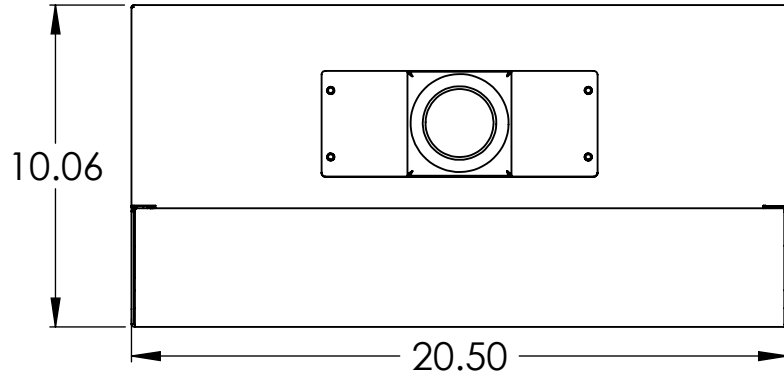
N/A

**SPEC INTERNATIONAL**

FABRICATION DIVISION  
739 Cottage Grove  
Grand Rapids, MI 49506  
Phone (616) 248-9116  
Fax (616) 248-9069  
www.specinternational.com

THE INFORMATION CONTAINED HEREIN IS CLASSIFIED CONFIDENTIAL. IT IS THE SOLE PROPERTY OF ABOVE LISTED CUSTOMER, AND ANY USE THEREOF AND/OR REPRODUCTION THEREOF IS EXPRESSLY PROHIBITED WITHOUT THE WRITTEN CONSENT OF ABOVE LISTED CUSTOMER.

PART #	N/A	PART DESC.	Square Top, Upright, W-Dual Adaptive Displays	Detailed by:	DJL
MAT'L.	ASSORTED	FINISH :	N/A	Created By:	DJL
			Monday, May 04, 2009 1:57:05 PM		



ITEM NO.	PART NUMBER	DESCRIPTION	QTY.
1	221-0005	SQUARE TOP, UPRIGHT	1
2	221-0004	DOOR, SQUARE TOP	1
3	105-0113	HINGE, SQUARE TOP	1
4	105-0111	LOCK BAR, SQUARE TOP	1
5	105-0124	CHERRY SWITCH BRACKET, E79, SQUARE TOP	1

Sheet 3 of 3

TOLERANCES UNLESS OTHERWISE SPECIFIED

.X ± .015 ANGLES ± .5°

.XX ± .010 HOLES ± .003

.XXX ± .005 Fractions ± 1/32

FILE NAME: D:\drawings\Square Tops\ Square Top, Upright

DIMENSIONS MARKED WITH OBROUND ARE INSPECTION DIMENSIONS

X.XXX

DRAWING CREATED FOR :

FOR :

Next Ass'y: DUAL DOOR, SQUARE TOP, LCD

Spec International

FABRICATION DIVISION  
739 Cottage Grove  
Grand Rapids, MI 49506  
Phone (616) 248-9116  
Fax (616) 248-9069  
www.specinternational.com

This Information Is Property Of

Cust Part #

N/A

Cust Print #

N/A

**SPEC INTERNATIONAL**

THE INFORMATION CONTAINED HEREIN IS CLASSIFIED CONFIDENTIAL. IT IS THE SOLE PROPERTY OF ABOVE LISTED CUSTOMER, AND ANY USE THEREOF AND/OR REPRODUCTION THEREOF IS EXPRESSLY PROHIBITED WITHOUT THE WRITTEN CONSENT OF ABOVE LISTED CUSTOMER.

PART #	N/A	PART DISC.	SQUARE TOP, DUAL DOOR, W/17" LCD	Detailed by:	DJL
MAT'L.	ASST	FINISH :	N/A	Created By:	DJL

Monday, May 04, 2009 11:14:43 AM