

PART #	211-0026	PART DISC.	WEDGE, 30 DEGREE, FOR SLOT BASE 211-0030	Detailed by:	DJL
MAT'L.	ASSORTED	FINISH :	BLACK RIVER	Created By:	BMA
			Friday, January 12, 2007 3:12:27 PM		

Sheet 1 of 4	TOLERANCES UNLESS OTHERWISE SPECIFIED	X.XXX	DRAWING CREATED FOR :	SPEC INTERNATIONAL	FABRICATION DIVISION
N/A	.X ± .062 ANGLES ± .5° .XX ± .030 HOLES ± .003 .XXX ± .015 Fractions ± 1/64	DIMENSIONS MARKED WITH OBROND ARE INSPECTION DIMENSIONS			739 Cottage Grove Grand Rapids, MI 49506 Phone (616) 248-9116 Fax (616) 248-9069 www.specinternational.com
NEXT ASSY.	This Information Is Property Of			SPEC INTERNATIONAL	
FILE NAME:	D:\drawings\Bases\WEDGES			PROPERTY OF ABOVE LISTED CUSTOMER. AND ANY USE THEREOF AND/OR REPRODUCTION THEREOF IS EXPRESSLY PROHIBITED WITHOUT THE WRITTEN CONSENT OF ABOVE LISTED CUSTOMER.	

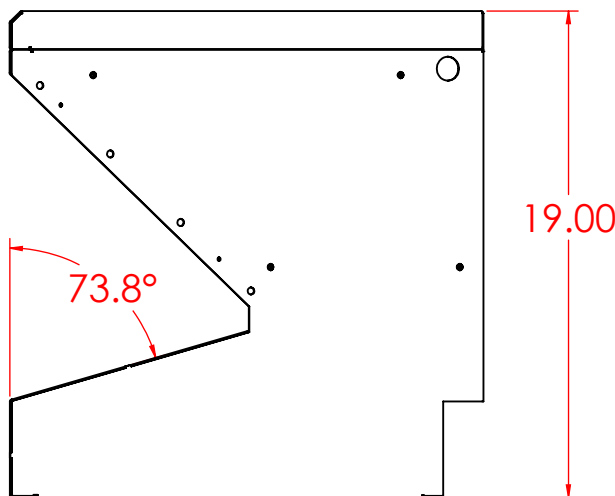
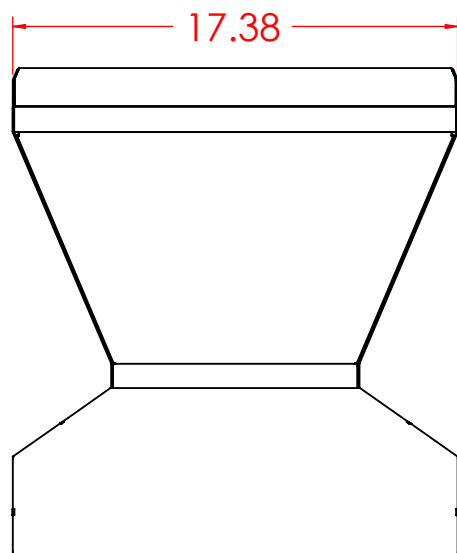
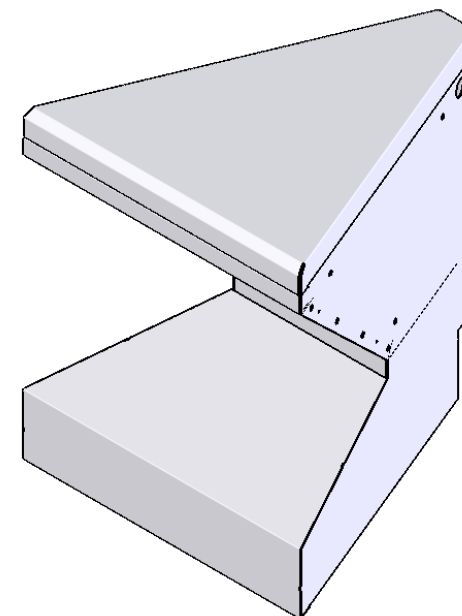
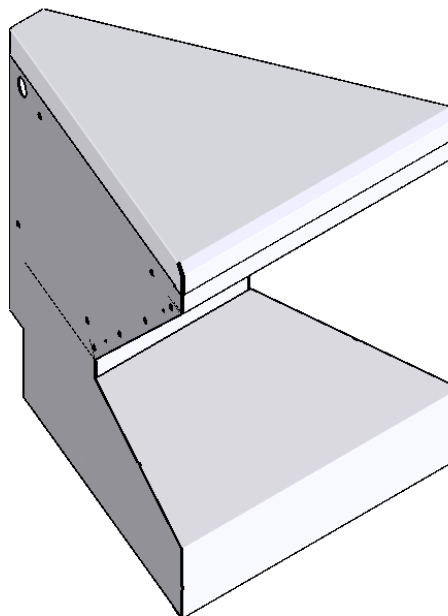
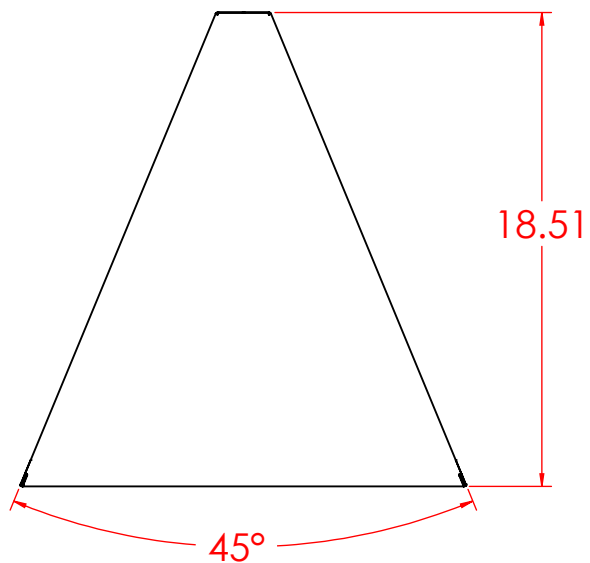
FINAL

Sheet scale= 1:7.5

PRINT NO.:

WEDGE, 45 DEGREE

Rev. ---

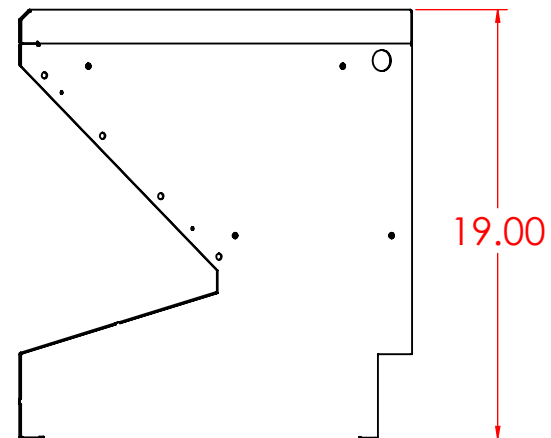
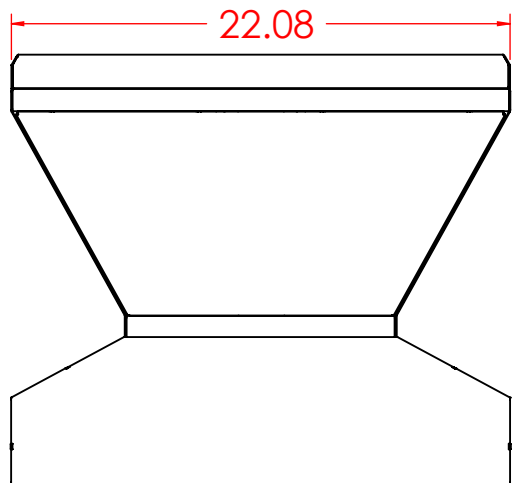
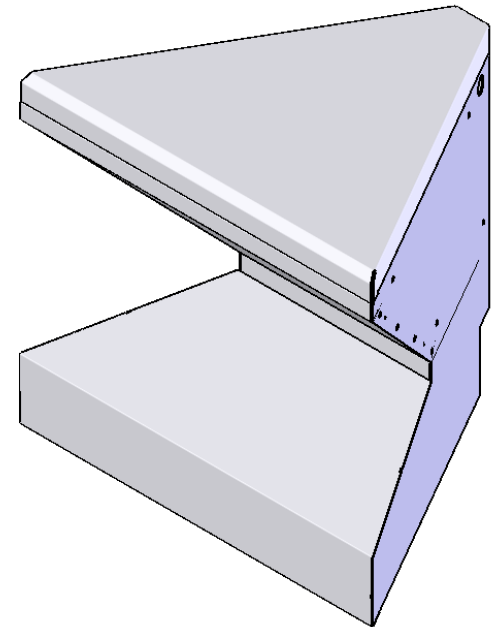
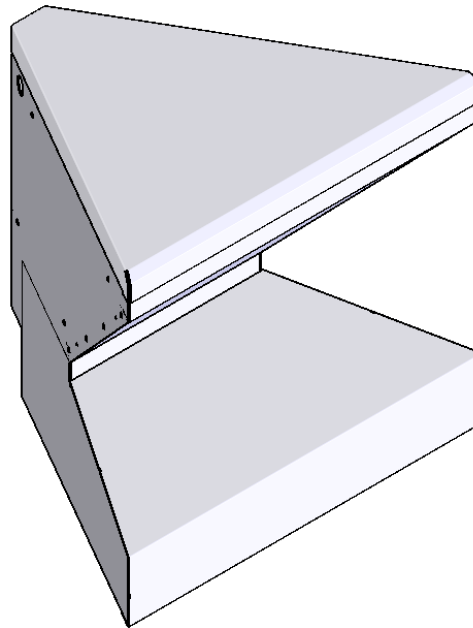
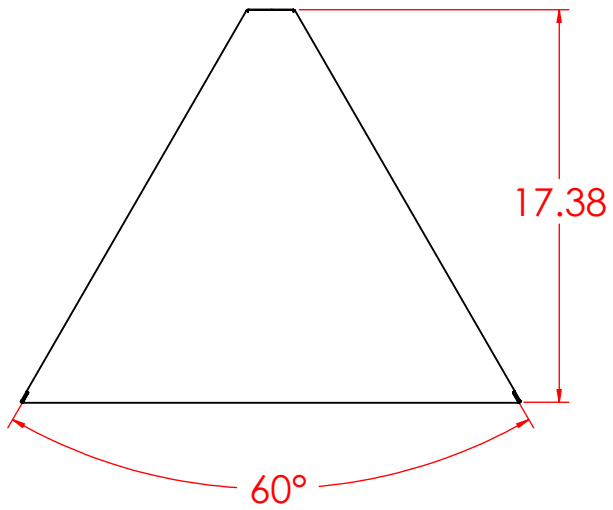


PART #	211-0027	PART DESC.	WEDGE, 45 DEGREE, FOR SLOT BASE 211-0030	Detailed by:	DJL
MAT'L.	ASSORTED	FINISH :	BLACK RIVER	Created By:	BMA
			Friday, January 12, 2007 3:12:27 PM		

Sheet 2 of 4	TOLERANCES UNLESS OTHERWISE SPECIFIED	X.XXX
NEXT ASSY.	.X ± .062 ANGLES ± .5°	DIMENSIONS MARKED WITH OBROUND ARE INSPECTION DIMENSIONS
N/A	.XX ± .030 HOLES ± .003	
	.XXX ± .015 Fractions ± 1/64	
All dimensions are in inches unless otherwise specified		
FILE NAME:	D:\drawings\Bases\WEDGES	

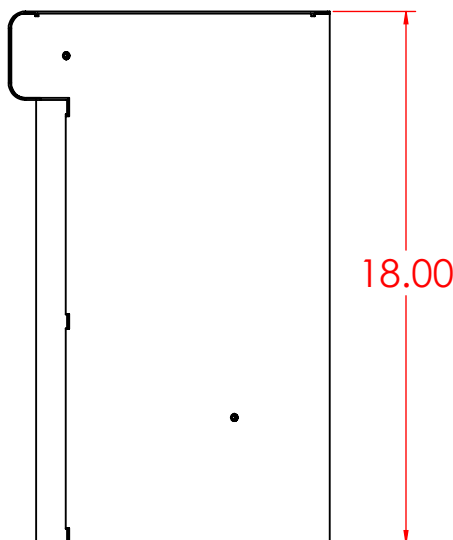
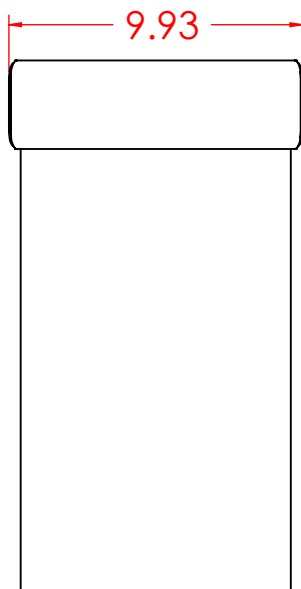
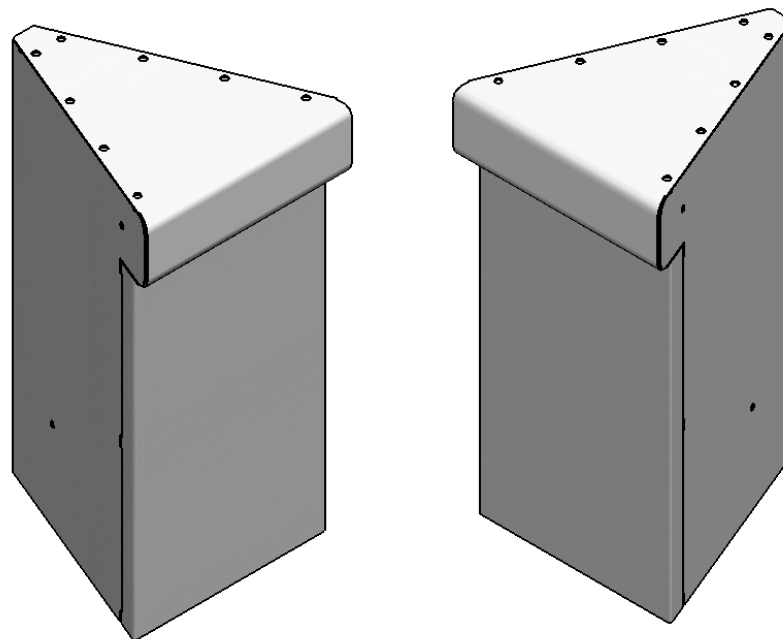
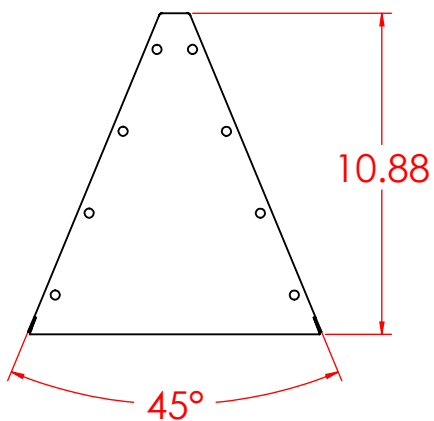
DRAWING CREATED FOR :		SPEC INTERNATIONAL FABRICATION DIVISION 739 Cottage Grove Grand Rapids, MI 49506 Phone (616) 248-9116 Fax (616) 248-9069 www.specinternational.com
This Information Is Property Of		
Cust Part #	N/A	
Cust Print #	N/A	

SPEC INTERNATIONAL
 THE INFORMATION CONTAINED HEREIN IS CLASSIFIED "CONFIDENTIAL". IT IS THE SOLE PROPERTY OF ABOVE LISTED CUSTOMER, AND ANY USE THEREOF AND/OR REPRODUCTION THEREOF IS EXPRESSLY PROHIBITED WITHOUT THE WRITTEN CONSENT OF ABOVE LISTED CUSTOMER.



PART #	211-0028	PART DESC.	WEDGE, 60 DEGREE, FOR SLOT BASE 211-0030	Detailed by:	DJL
MAT'L.	ASSORTED	FINISH :	BLACK RIVER	Created By:	BMA
			Friday, January 12, 2007 3:12:27 PM		

Sheet 3 of 4	TOLERANCES UNLESS OTHERWISE SPECIFIED	X.XXX	DRAWING CREATED FOR :	SPEC INTERNATIONAL	FABRICATION DIVISION 739 Cottage Grove Grand Rapids, MI 49506 Phone (616) 248-9116 Fax (616) 248-9069 www.specinternational.com
NEXT ASSY. N/A	.X ± .062 ANGLES ± .5° .XX ± .030 HOLES ± .003 .XXX ± .015 Fractions ± 1/64 <small>All dimensions are in inches unless otherwise specified</small>	DIMENSIONS MARKED WITH OBROUND ARE INSPECTION DIMENSIONS	This Information Is Property Of	SPEC INTERNATIONAL	PROPERTY OF ABOVE LISTED CUSTOMER. AND ANY USE THEREOF AND/OR REPRODUCTION THEREOF IS EXPRESSLY PROHIBITED WITHOUT THE WRITTEN CONSENT OF ABOVE LISTED CUSTOMER.
FILE NAME: D:\drawings\Bases\WEDGES			Cust Part #	N/A	
			Cust Print #	N/A	



Sheet 4 of 4	TOLERANCES UNLESS OTHERWISE SPECIFIED .X ± .062 ANGLES ± .5° .XX ± .030 HOLES ± .003 .XXX ± .015 Fractions ± 1/64 <small>All dimensions are in inches unless otherwise specified</small>	<input checked="" type="checkbox"/> .XXX DIMENSIONS MARKED WITH OBROUND ARE INSPECTION DIMENSIONS	DRAWING CREATED FOR :	SPEC INTERNATIONAL <small>FABRICATION DIVISION 739 Cottage Grove Grand Rapids, MI 49506 Phone (616) 248-9116 Fax (616) 248-9069 www.specinternational.com</small>
NEXT ASSY. ---	FILE NAME: D:\drawings\Bases\WEDGES	This Information Is Property Of		
		Cust Part #	SPEC INTERNATIONAL	
		Cust Print #	THE INFORMATION CONTAINED HEREIN IS CLASSIFIED "CONFIDENTIAL". IT IS THE SOLE PROPERTY OF ABOVE LISTED CUSTOMER, AND ANY USE THEREOF AND/OR REPRODUCTION THEREOF IS EXPRESSLY PROHIBITED WITHOUT THE WRITTEN CONSENT OF ABOVE LISTED CUSTOMER.	
		N/A		
		N/A		

PART #	221-0049	PART DESC.	WEDGE, 45 DEGREE, FOR SLOT BASE 221-0001	Detailed by:	DJL
MAT'L.	ASSORTED	FINISH :	Black wrinkle	Created By:	RMC
			Monday, September 26, 2005 4:03:54 PM		