

Assy

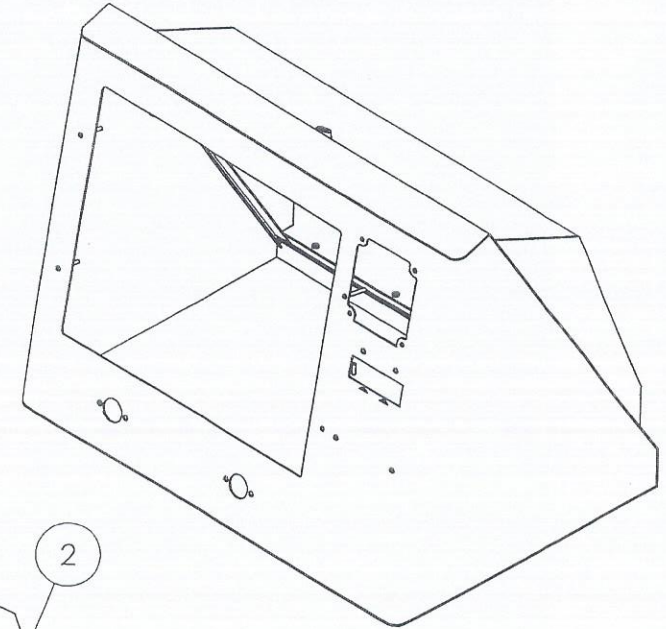
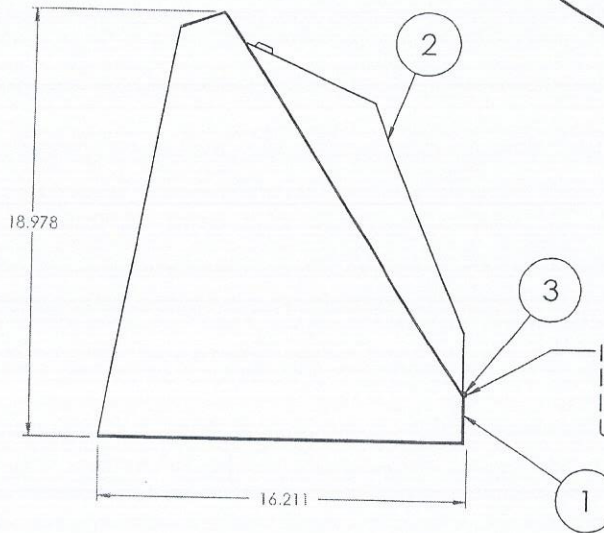
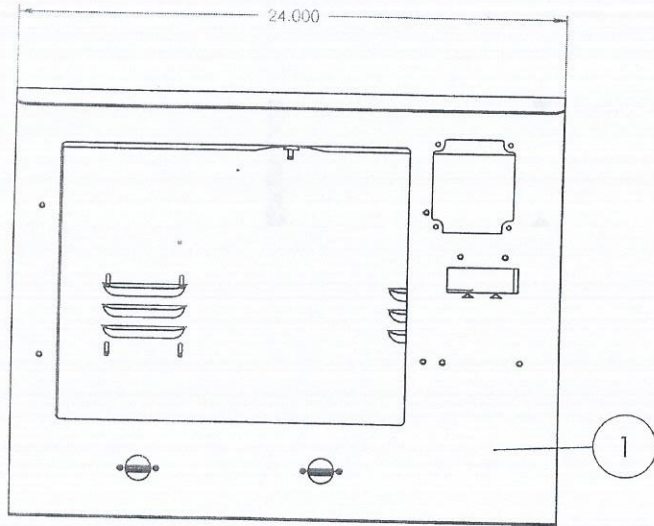
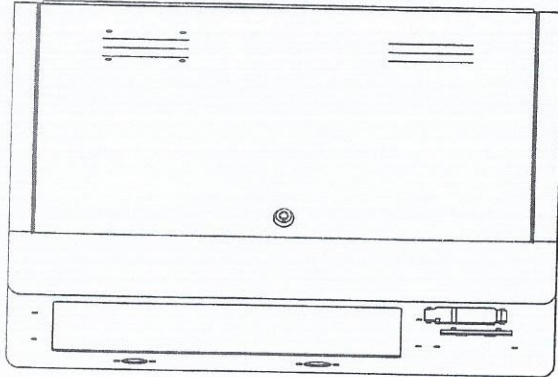
Sheet scale= 1:12

PRINT NO.:

300414

Rev. --

REVISIONS			
REV.	DESCRIPTION	DATE	BY



Item #5 (201664)
Is Bolted To
Item #3 (201663)
Using Item #4 Hinge Assy (174473)

ITEM NO.	PART NUMBER	DESCRIPTION	QTY.
1	201663	TT2 Body Assy	1
2	201664	TT2 Door Assy	1
3	MMC 15665A302		1
4	Standard lock	Lock	1
5	112-2050	XXXX	1

Sheet 1 of 1	TOLERANCES UNLESS OTHERWISE SPECIFIED X.XXX	DIMENSIONS MARKED WITH OBROUND ARE INSPECTION DIMENSIONS	DRAWING CREATED FOR:	SPEC INTERNATIONAL	FABRICATION DIVISION 799 Cottage Grove Grand Rapids, MI 49506 Phone: (616) 248-9116 Fax: (616) 248-9069 www.specinternational.com
NEXT ASSY: NA	.X ± .062 ANGLES ± 5° .XX ± .030 HOLES ± .003 .XXX ± .015 Fractions ± 1/64 <small>All dimensions are in inches unless otherwise specified</small>		This information is Property Of	INTERNATIONAL	
FILE NAME: F:\Spec\300000\300414			Cust Part # 112-1883	Spec	
			Cust Print # 300414		

PART #	112-1883	PART DESC.	Nudgemaster Table Top Housing	Detailed by:	TJS
MAT'L.	Vary	Vary	FINISH Blue Hammertone	Created By:	TJS

Wednesday, December 19, 2012 2:57:14 PM

THE INFORMATION FOR THIS DRAWING IS THE PROPERTY OF SPEC INTERNATIONAL. IT IS THE SOLE PROPERTY OF SPEC INTERNATIONAL. IT IS NOT TO BE REPRODUCED OR TRANSMITTED IN ANY FORM OR BY ANY MEANS, ELECTRONIC OR MECHANICAL, INCLUDING PHOTOCOPYING, RECORDING, OR BY ANY INFORMATION STORAGE AND RETRIEVAL SYSTEM, WITHOUT THE WRITTEN CONSENT OF A SPECIFIED OFFICER.